



LX2262 Encoder Circuit

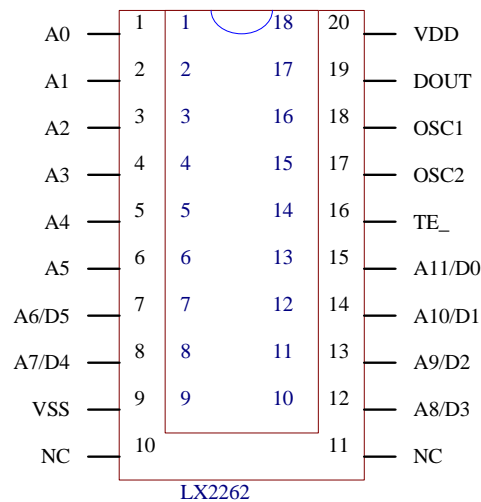
一、 Description:

LX2262 is low power consumption wireless infrared remote control encoder IC adopting CMOS technics. Every circuit is constituted by address code and data code which can be neatly changed by users. It is applied to wireless and infrared remote control transmitter. It is compatible with PT2262.

二、 Application:

- ◆ Car Security System
- ◆ Home Security System
- ◆ Remote Control Toys
- ◆ Other Industrial Remote Control

三、 Pin Configuration:



Product Specification Category:

LX2262X-RX

R: RF application. IR4 is infrared remote control application, The receiving end should reverse signal.

X: input data (6, 4, 2, 0)

X: (S, D) S is SOP package, D is DIP package.



HANGZHOU ZHENGXIN MICRO-ELECTRONICS CO.,LTD

Address: B068#, 4 Floor, 639 Dengyun Road, Hangzhou, Zhejiang

Tel: 0571-89908068 89908067 89908491

Fax: 0571-89908137 89908492 Postcode: 310014

Website: <http://www.chiptrue.com>

四、 Pin description:

Pin Title	I/O	Description
A0~Ax	I	Address pin, is used in address code, can set "0", "1", " (hang) , "f" three state.
D0~Dx	I	Data input end, one "1", coding that is sended, a built-in pull down
VDD	I	Positive Power Supply
VSS	I	Negative Power Supply
TE_	I	Code startup end, is applied for code transmitter of multi-data, low electricity level effectively, a built-in pull up.
OSC1	I	double resistance oscillator input end
OSC2	O	double resistance oscillator output end
DOUT	O	Data Output Pin (frequently low)
NC	--	Empty pin

五、 function comparison table:

Model	Address Digit	Data Digit	Wireless Application	Infrared Application	Most address digit	Decoder model	Package
LX2262-R6	6	6	Y		729	LX2272-X6	SOP18、SOP/DIP20
LX2262-R4	8	4	Y		6561	LX2272-X4	SOP18、SOP/DIP20
LX2262-R2	10	2	Y		59049	LX2272-X2	SOP18、SOP/DIP20
LX2262-R0	12	0	Y		531,441	LX2272-X0	SOP18、SOP/DIP20
LX2262-IR4	8	4		Y	6561	LX2272-X4	SOP18、SOP/DIP20



六、Limit parameter (Ta=25°C)

Parameter	Sign	Parameter scope	Unit
Power supply pressure	Vcc	-0.3~12.0	V
Input pressure	Vi	-0.3~Vcc+0.3	V
Output pressure	Vo	-0.3~Vcc+0.3	V
Most power consumption (Vcc=12V)	Pa	300	mW
Work temperature	Topr	-20~+70	°C
Storage temperature	Tstg	-40~+125	°C

七、partnership resistance (for reference only)

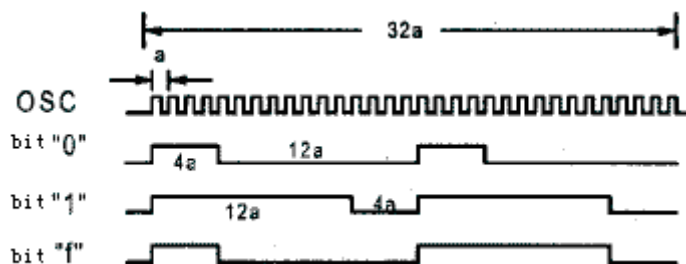
LX2262/HS2262A	LX2272/PT2272	HS2272A/B
3.3M	270K	680K
4.7M	360K	820K

八、Code Structure

Code Bits

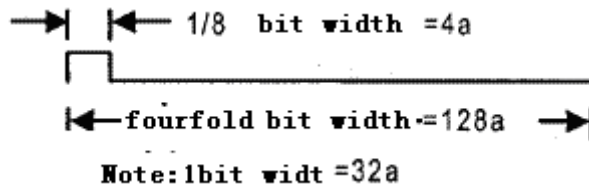
A code bit is the basic unit of encoded waveform, it can be classified as either an AD (Address, Data) bit or the SYNC (synchronous) bit.

The corresponding terminal power level in According with low, high, or hang in the air state, AD bit can be set to "0", "1" or "f", each bit waveform is constituted by two pulse cycle, each pulse cycle contain 16 clock cycle, see the next diagram:



Here, a=oscillating clock period, bit "f" is effective for code only.

The Synchronous Bit Waveform is 4 bits long with 1/8 bit width pulse. Please refer to the diagram below:

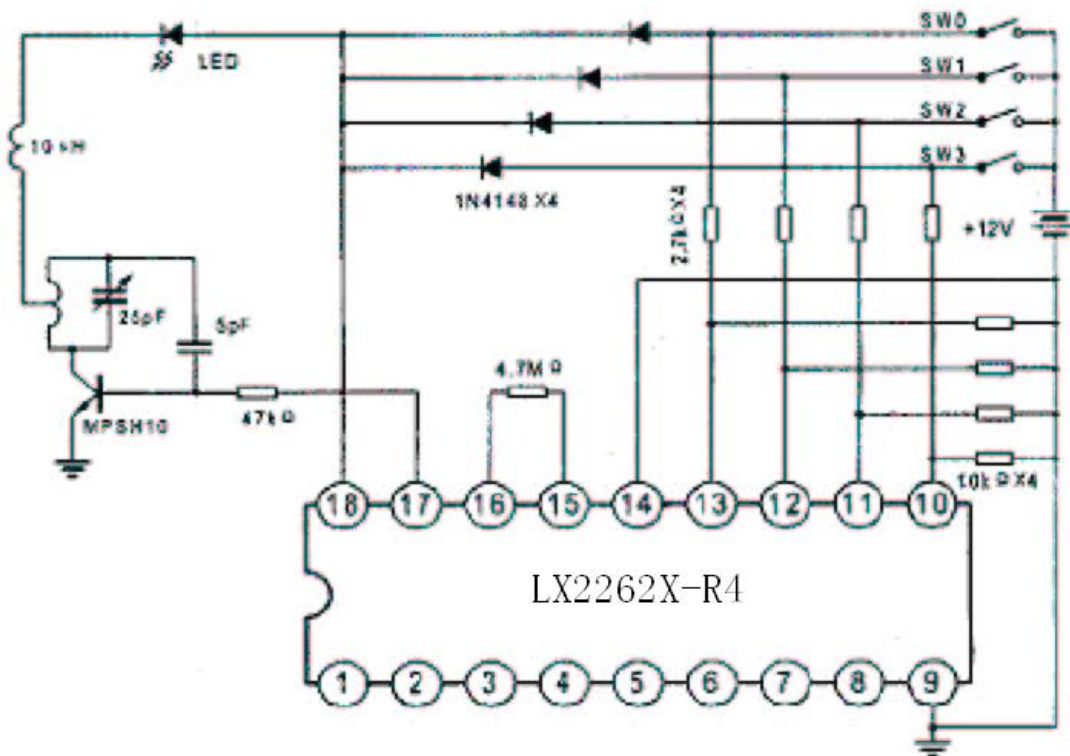


Code Word

A group of code bit is called a code word, a code word consists of 12 AD bit followed by 1 SYNC.Bit. The 12 AD bits is address code or data code according to the different suffix of LX2272. See the next diagram:

A0	A1	A2	A3	A4	A5	A6	A7	A8	A9	A10	A11	SYN
										0		C

九、Application Circuit Diagram



UHF frequency band 4 data transmitting circuit